

## 38. TA SERIES - Three-Phase Asynchronous single speed motors

### Electric data (50Hz) Efficiency IE3 - 2 poles

Frame size	Power(Kw)	rpm (rpm/min)	Current In(A) 400V	Eff. (%)	Power factor (cosφ)	Torque Cn (Nm)	Is/In	Cs/Cn	Cmin./Cn	Cmax/Cn
T3C 132S1-2	5.5	2905	10.00	89.2	0.89	18.08	7.8	2.4	2	2.9
T3C 132S2-2	7.5	2910	13.65	90.1	0.88	24.61	7.9	2.7	2	2.8
T3C 160M1-2	11	2920	19.34	91.2	0.90	35.97	7.9	2.2	2.1	3
T3C160M2-2	15	2918	25.89	91.9	0.91	49.09	7.9	2.3	2.1	3
T3C 160L-2	18.5	2922	31.41	92.4	0.92	60.46	8	2.4	2.1	2.9
T3C 180M-2	22	2930	38.49	92.7	0.89	71.70	7.5	2.3	2	2.8
T3C 200L1-2	30	2925	52.74	93.3	0.88	97.94	6.7	2.4	2	2.7
T3C 200L2-2	37	2930	63.33	93.7	0.90	120.59	6.3	2.3	2	2.7
T3C 225M-2	45	2930	78.52	94	0.88	146.66	6.9	2.3	2	2.8
T3C 250M-2	55	2940	95.67	94.3	0.88	178.64	8	2.3	1.9	2.7
T3C 280S-2	75	2940	124.26	94.7	0.92	243.60	8	2.2	1.9	2.7
T3C 280M-2	90	2940	148.64	95	0.92	292.33	7.7	2.2	1.9	2.6
T3C 315S-2	110	2940	185.31	95.2	0.90	357.29	7.7	2	1.8	2.3
T3C 315M-2	132	2940	219.47	95.4	0.91	428.74	7.6	2	1.8	2.3
T3C 315L1-2	160	2945	267.86	95.8	0.90	518.81	7.8	2	1.8	2.3
T3C 315L2-2	200	2945	338.58	95.8	0.89	648.51	7.9	2	1.8	2.3
T3C 355M-2	250	2945	418.53	95.8	0.90	810.64	7.8	2	1.8	2.3
T3C 355L-2	315	2945	533.27	95.8	0.89	1021.40	7.8	2	1.8	2.3

### Electric data (50Hz) Efficiency IE3 - 4 poles

Frame size	Power(Kw)	rpm (rpm/min)	Current In(A) 400V	Eff. (%)	Power factor (cosφ)	Torque Cn (Nm)	Is/In	Cs/Cn	Cmin./Cn	Cmax/Cn
T3C 132S-4	5.5	1430	10.81	89.6	0.82	36.73	7.1	2.3	2	2.8
T3C 132M-4	7.5	1430	14.43	90.4	0.83	50.08	7.8	2.3	2	2.7
T3C160M-4	11	1440	19.09	91.4	0.91	72.95	7.9	2.5	2.1	2.8
T3C 160L-4	15	1445	25.55	92.1	0.92	99.13	7.8	2.4	2.1	2.9
T3C 180M-4	18.5	1445	33.15	92.6	0.87	122.26	7.8	2.4	2.1	3
T3C 180L-4	22	1460	38.37	93	0.89	143.89	7.5	2.3	2	3
T3C 200L-4	30	1460	52.57	93.6	0.88	196.22	7.9	2.4	2	2.7
T3C 225S-4	37	1470	71.09	93.9	0.80	240.36	6.7	2.4	2	2.7
T3C 225M-4	45	1480	86.19	94.2	0.80	290.35	7	2.3	2	2.8
T3C 250M-4	55	1480	95.36	94.6	0.88	354.87	7.4	2.4	1.9	2.7
T3C 280S-4	75	1480	125.22	95	0.91	483.92	7.5	2.2	1.9	2.6
T3C 280M-4	90	1480	148.32	95.2	0.92	580.70	7.7	2.2	1.9	2.6
T3C 315S-4	110	1480	184.92	95.4	0.90	709.75	7.8	2	1.8	2.3
T3C 315M-4	132	1480	219.01	95.6	0.91	851.69	7.8	2	1.8	2.3
T3C 315L1-4	160	1480	264.91	95.8	0.91	1032.36	7.9	2	1.8	2.3
T3C 315L2-4	200	1480	334.12	96	0.90	1290.45	7.7	2	1.8	2.3
T3C 355M-4	250	1480	422.35	96	0.89	1613.06	7.9	2	1.8	2.3
T3C 355L-4	315	1480	526.25	96	0.90	2032.45	7.8	2	1.8	2.3

Electric data (50Hz) Efficiency IE3 - 6 poles

Frame size	Power(Kw)	rpm (rpm/min)	Current In(A) 400V	Eff. (%)	Power factor (cosφ)	Torque Cn (Nm)	Is/In	Cs/Cn	Cmin/Cn	Cmax/Cn
T3C 132S-6	3	940	6.09	85.6	0.83	30.48	6.3	2.4	2.2	2.8
T3C 132M1-6	4	945	7.92	86.8	0.84	40.42	6.2	2.5	2	2.8
T3C 132M2-6	5.5	945	11.00	88	0.82	55.58	6.8	2.3	1.9	2.8
T3C 160M-6	7.5	955	14.46	89.1	0.84	74.99	7	2.4	1.9	2.7
T3C 160L-6	11	960	20.69	90.3	0.85	109.42	7.3	2.5	2	2.8
T3C 180L-6	15	960	28.60	91.2	0.83	149.21	7.8	2.3	2.1	2.9
T3C 200L1-6	18.5	965	34.26	91.7	0.85	183.07	7.8	2.4	2.1	3.2
T3C 200L2-6	22	965	40.05	92.2	0.86	217.70	7.9	2.3	1.9	3.1
T3C 225M-6	30	975	54.84	92.9	0.85	293.82	7.9	2.2	1.9	2.7
T3C 250M-6	37	975	68.97	93.3	0.83	362.38	7.5	2.3	2.1	2.7
T3C 280S-6	45	980	80.61	93.7	0.86	438.49	7.2	2.3	2	2.8
T3C 280M1-6	55	980	98.10	94.1	0.86	535.93	7.7	2.2	1.9	2.7
T3C 315S-6	75	980	128.58	94.6	0.89	730.81	7.9	2.1	1.9	2.5
T3C 315M-6	90	980	152.10	94.9	0.90	876.98	8	2	1.8	2.3
T3C 315L1-6	110	980	185.51	95.1	0.90	1071.86	7.7	2	1.8	2.3
T3C 315L2-6	132	980	224.40	95.4	0.89	1286.23	.8	2	1.8	2.3
T3C 355M1-6	160	980	265.47	95.6	0.91	1559.07	7.6	2	1.8	2.3
T3C 355M2-6	200	980	334.82	95.8	0.90	1948.84	7.8	2	1.8	2.3
T3C 355L-6	250	980	423.23	95.8	0.89	2436.05	7.8	2	1.8	2.3



## 41. SERIE TC - Weight TC IE3

Frame size	Kw	Weight kg			
		B3	B14	B5	B35

132S1-2	5,5	71,68	72,46	74,37	75,49
132S2-2	7,5	78,40	79,18	81,09	82,21
160M1-2	11	129,92	134,40	137,76	138,88
160M2-2	15	155,68	159,04	163,52	164,64
160L-2	18,5	170,24	172,48	178,08	179,20
180M-2	22	198,24		203,84	208,32
200L1-2	30	260,96		275,52	280,00
200L2-2	37	275,52		282,24	286,72
225M-2	45	360,64		369,60	374,08
250M-2	55	470,40		488,32	495,04
280S-2	75	733,60		749,28	756,00
280M-2	90	640,64		722,40	729,12
315S-2	110	1030,40		1052,80	1064,00
315M-2	132	1142,40		1164,80	1176,00
315L1-2	160	1187,20		1209,60	1220,80
315L2-2	200	1265,60		1288,00	1299,20
355M2-2	250	1825,60		1845,76	1862,56
355L2-2	315	1971,20		1992,48	2009,28

Frame size	Kw	Weight kg			
		B3	B14	B5	B35

132S-4	5,5	73,92	74,70	76,05	77,73
132M-4	7,5	90,72	91,50	92,85	94,53
160M-4	11	153,44	156,80	160,72	162,40
160L-4	15	152,32	161,28	166,32	168,00
180M-4	18,5	176,96		186,48	188,16
180L-4	22	204,96		211,12	212,80
200L-4	30	271,04		282,24	286,72
225S-4	37	343,84		353,92	358,40
225M-4	45	394,24		411,04	415,52
250M-4	55	479,36		499,52	504,00
280S-4	75	672,00		687,68	694,40
280M-4	90	723,52		743,68	750,40
315S-4	110	1052,80		1075,20	1086,40
315M-4	132	1187,20		1209,60	1220,80
315L1-4	160	1164,80		1299,20	1310,40
315L2-4	200	1366,40		1388,80	1400,00
355M2-4	250	1840,16		1864,80	1881,60
355L-4	315	2122,40		2140,32	2157,12

Frame size	Kw	Weight kg			
		B3	B14	B5	B35

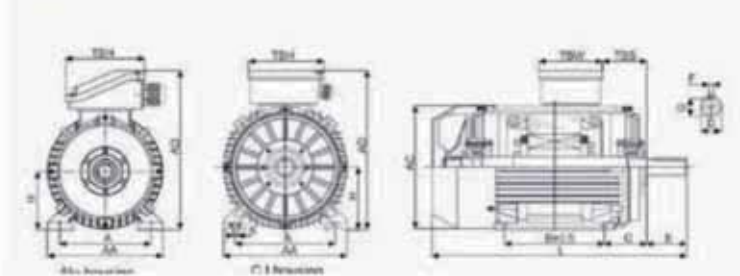
132S-6	3	63,33	68,56	69,87	70,99
132M1-6	4	75,84	81,08	82,26	83,38
132M2-6	5,5	82,99	88,23	89,41	90,53
160M-6	7,5	135,52	138,88	142,80	144,48
160L-6	11	155,68	159,04	162,96	164,64
180L-6	15	209,44		218,18	219,86
200L1-6	18,5	265,96		299,14	303,62
200L2-6	22	278,60		311,78	316,26
225M-6	30	375,20		384,16	388,64
250M-6	37	485,18		505,98	510,46
280S-6	45	575,68		591,70	598,42
280M-6	55	791,62		814,26	820,98
315S-6	75	1052,08		1070,25	1081,45
315M-6	90	1075,20		1097,60	1108,80
315L1-6	110	1120,00		1142,40	1153,60
315L2-6	132	1209,60		1232,00	1243,20
355M1-6	160	1940,74		1964,79	1981,59
355M3-6	200	2017,34		2041,40	2058,20
355L2-6	250	2093,95		2118,01	2134,81



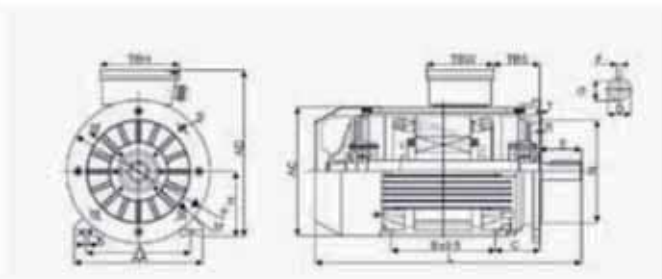
The logo for SIMOTOP N.V. features a stylized circular emblem on the left, composed of horizontal lines of varying lengths that form a shape reminiscent of a fan or a turbine. To the right of the emblem, the word "SIMOTOP" is written in a large, bold, sans-serif font. A registered trademark symbol (®) is positioned at the top right of the "P". Below "SIMOTOP", the letters "N.V." are written in a smaller, bold, sans-serif font.

## 42. TC SERIES - Overall & Installation dimensions

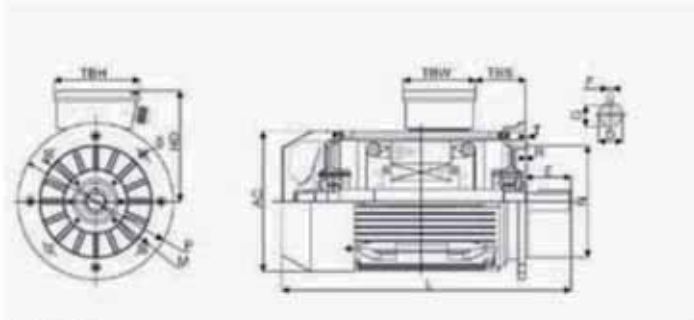
Measures in mm



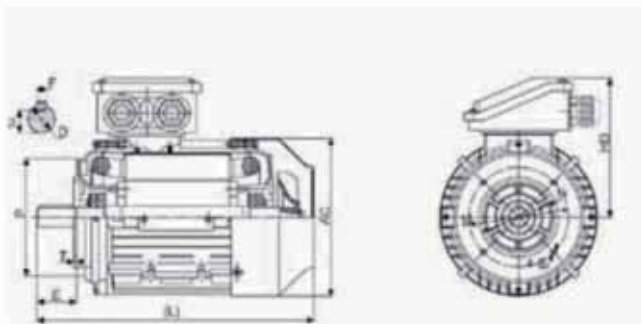
IM B3



IM B3/B5



IM B5



IM B14

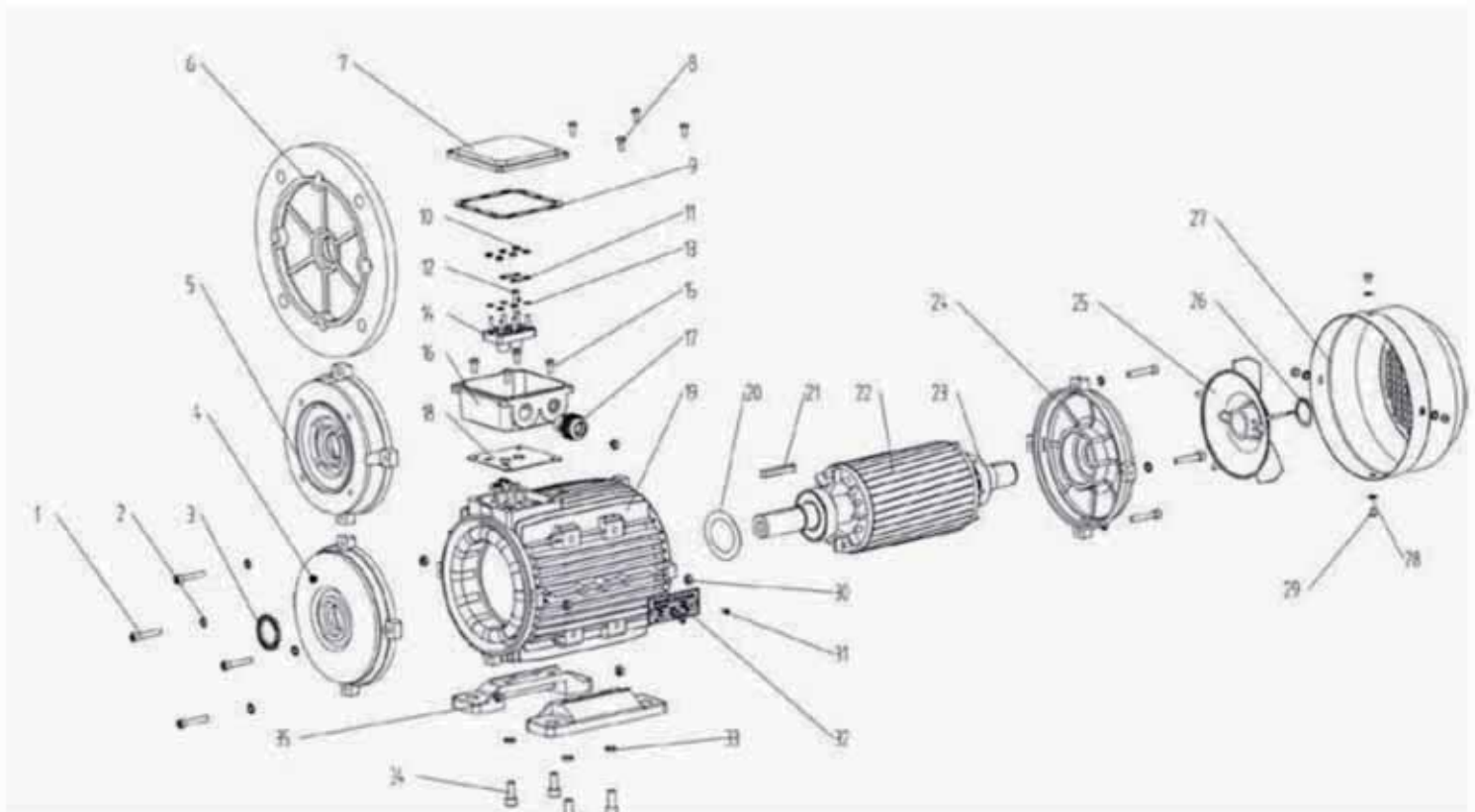
Frame size	B3				Sharf					General							
	H	A	B	C	D	E	F	G	K	AA	AD	HD	AC	L	TBS	TBW	TBH

132S/M		132	216	140/178	89	Ø38	80	10	33	Ø12	255	332	200	299	407/505	29	118	118
160ML		160	254	210/254	108	Ø42	110	12	37	Ø15	314	402	242	313	605/650	91	162	187
180ML		180	279	241/279	121	Ø48	110	14	42.5	Ø15	348	439	259	360	687/725	160/180	162	187
200L		200	318	305	133	Ø55	110	16	49	Ø19	388	497	297	399	768	192	186	233
225S	4,8	225	356	286	149	Ø60	140	18	53	Ø19	436	553	328	465	814	190	186	233
225M	2	225	356	311	149	Ø55	110	16	49	Ø19	436	553	328	465	809	202	186	233
	4,6,8	225	356	311	149	Ø60	140	18	53	Ø19	436	553	328	465	839	202	186	233
250M	2	250	406	349	168	Ø60	140	18	53	Ø24	484	616	366	506	918	233	218	260
	4,6,8	250	406	349	168	Ø65	140	18	58	Ø24	484	616	366	506	918	233	218	260
280S/M	2	280	457	368/419	190	Ø65	140	18	58	Ø24	557	668	388	559	984/1035	265	218	260
	4,6,8	280	457	368/419	190	Ø75	140	20	67.5	Ø24	557	668	388	559	984/1035	265	218	260
315S	2	315	508	406	216	Ø65	140	18	58	Ø28	630	845	530	680	1205	130	280	320
	4,6,8	315	508	406	216	Ø80	170	22	71	Ø28	630	845	530	680	1235	130	280	320
315M/L	2	315	508	457/508	216	Ø65	140	18	58	Ø28	630	845	530	680	1355	130	280	320
	4,6,8	315	508	457/508	216	Ø80	170	22	71	Ø28	630	845	530	680	1385	130	280	320
355M/L	2	355	610	560/630	254	Ø75	140	20	67.5	Ø28	740	1010	655	820	1500	HO	330	380
	4,6,8	355	610	560/630	254	Ø100	210	28	90	Ø28	740	1010	655	820	1570	140	330	380

Frame size	B5						B14					
	N	M	P	S	T	R	N	M	P	S	T	R

132S/M		230	265	300	4-Ø15	4	0	130	165	198	M10	3.5	0
160ML		250	300	350	4-Ø19	5	0						
180ML		250	300	350	4-Ø19	5	0						
200L		300	350	400	4-Ø19	5	0						
225S	4,8	350	400	450	8-Ø19	5	0						
225M	2	350	400	450	8-Ø19	5	0						
	4,6,8	350	400	450	8-Ø19	5	0						
250M	2	400	500	550	8-Ø19	5	0						
	4,6,8	400	500	550	8-Ø19	5	0						
280S/M	2	400	500	550	8-Ø19	5	0						
	4,6,8	400	500	550	8-Ø19	5	0						
315S/M/L	2	550	600	660	4-Ø24	6	0						
	4,6,8	550	600	660	4-Ø24	6	0						
355M/L	2	680	740	800	4-Ø24	6	0						
	4,6,8	680	740	800	4-Ø24	6	0						

## 43. TC SERIES - Exploded view, spare parts list



- |                               |                                |                             |
|-------------------------------|--------------------------------|-----------------------------|
| 1. Screw                      | 13. Terminal shim              | 25. Cooling fan             |
| 2. Gasket                     | 14. Terminal board             | 26. Fan circlip             |
| 3. Oil seal                   | 15. Terminal box fixing screws | 27. Fan cover               |
| 4. DE endshield               | 16. Terminal box Dase          | 28. Fan cover fixing shim   |
| 5. B14 nang                   | 17. Cable gland                | 29. Fan cover fixing screws |
| 6. B5 nange                   | 18. Terminal box bottomgaskel  | 30. Endshield fixing nul    |
| 7. Terminal box cover         | 19. Frame                      | 31. Rivet                   |
| 8. Terminal box fixing screws | 20. Preload washer             | 32. Nameplate               |
| 9. Terminal box upper gasket  | 21. Key                        | 33. Foot fixing nut         |
| 10. Terminal box fixing nut   | 22. Rotor                      | 34. Foot fixing screws      |
| 11. Terminal bridge           | 23. Bearing                    | 35. Foot                    |
| 12. Terminal pin              | 24. NDE endshield              |                             |