



Slip Rings

catalog & maintenance

Standard Series (KYC)

This units can be used in any electromechanical system that requires unrestrained, continuous rotation while transferring power or data from a stationary to a rotating structure. It's also called a rotary electrical interface, commutator, collector, swivel or an electrical rotary joint.

It can improve electromechanical capability, simplify system design, eliminate possible damage while rotation. It's the key apparatus of various precision rotary worktable, electric test instrument, manufacture and process control instrument.

Application:

Index tables for signal and power connection	Heating rollers	Electro plating lines	Robots
Resistors cutting machines	Lamilating	Rotary stages	Rotary lamp boxes
Speed dome cameras	Winding machines	Cable wheels	Medical Equipments
Package machines	Spinning LED sign boards	Circle knitting machines	
	Wind Turbines	Coloring devices	

Order code

KYC **06** **B** - **06** **02** / **XXX**
series wires range model execution wires number current additional options

Example

KYC06A-0602 - KYC series, 6 wires - 6 x 2A, dimensions - KYC06A model

KYC12C-0802/04S - KYC series, 12 wires - 8 x 2A, 4 x signal wires (S - shielded), dimensions KYC12C model - **non standard execution**

KYC12A-1002 - KYC series, 10 wires - 10 x 2A, dimensions KYC12A model - **non standard execution**

Futures

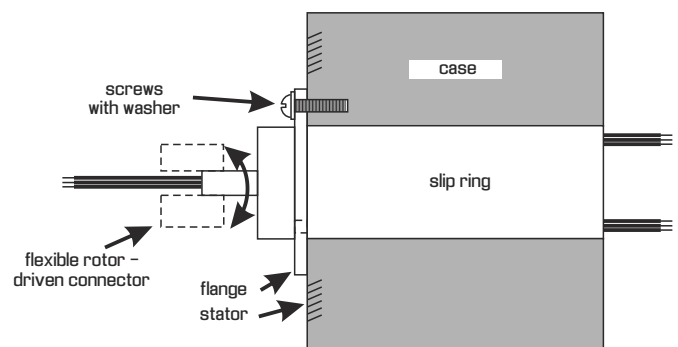
- precision ball bearings meet or exceed life requirements for most commercial applications
- longer lead wires available
- transfers analog and digital signals
- compatible with data bus protocols
- sealed units also available
- flexible, color-coded, silver-plated Teflon[®] insulated lead wires
- also available with 5A and 10A power rings combined with 2A rings

Using and installation guide

1. This series is designed for being installed with flange on a sleeve bracket.
2. Rotor must be concentric driven by a flexible link (such as plastic tube or screw tube). Rotor lead wire can do as this driver at limited-speed.
3. As the photograph show, screws with washer can be used to install slip ring, these washer can avoid flange too tight.
4. Slip ring can not support the weight of equipment which connects with it, rotating equipment should be fastened so that its weight will not fall on the rotor.
5. Slip ring should not invaded by dust or humidity. If used outdoor, shield is necessary.
6. The surface of lead wire should avoid being damaged while equipment rotating, all lead wire can not bear weight while you put lead wire in order.
7. No damaging the surface of lead wire while barking its end.

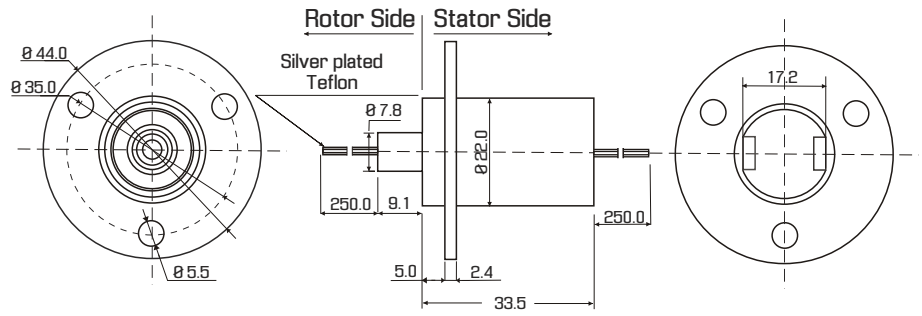
Specifications

Operating Speed	0 - 300rpm
Number of Circuits	2 - 72 circuits available
Voltage	250 VAC/VDC
Current Rate	2A (KYC03 - 10A) per circuit
Temperature Range	-40 to +80 °C
Contact Material	Gold to Gold
Lead Size	28AWG (2A), 16AWG (10A)
Lead Lengths	min 250mm
Dielectric Strength	500VAC @50Hz, between each circuit
Insulation Resistance	1000 MΩ@500VDC
Electric Noise	≤10mΩ
IP	44



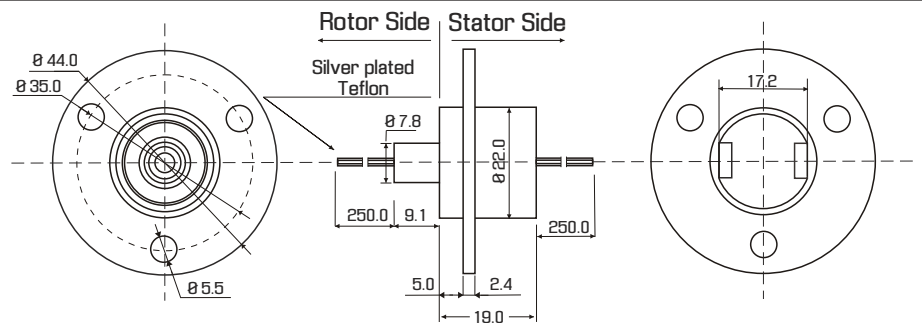
KYC03 Series

KYC03A - 3 x 10A

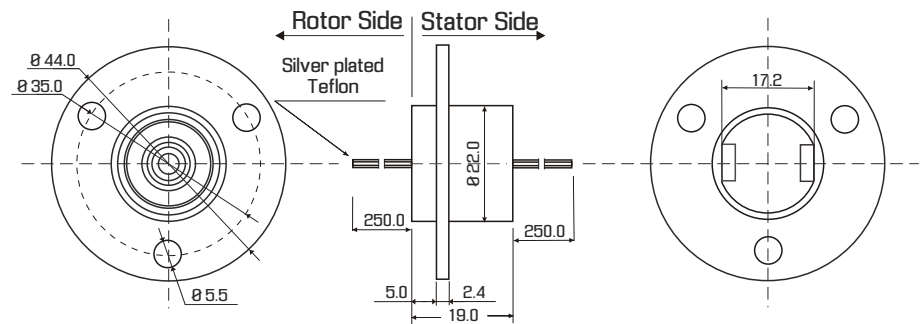


NS06 Series

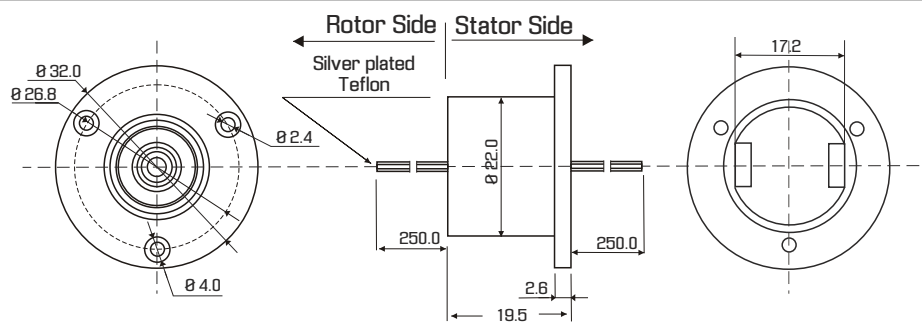
KYC06A - 6 x 2A



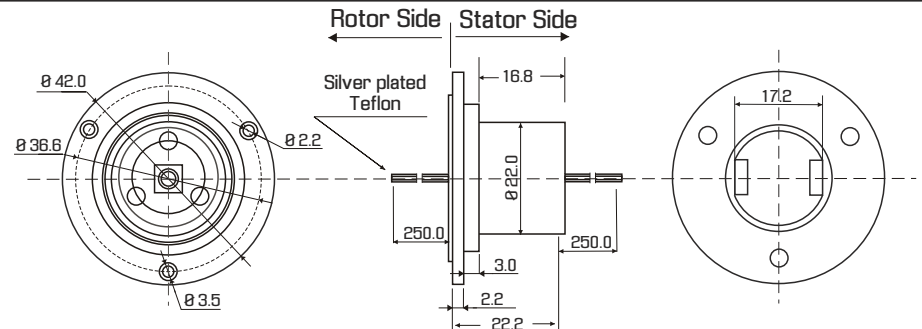
KYC06B - 6 x 2A



KYC06C - 6 x 2A

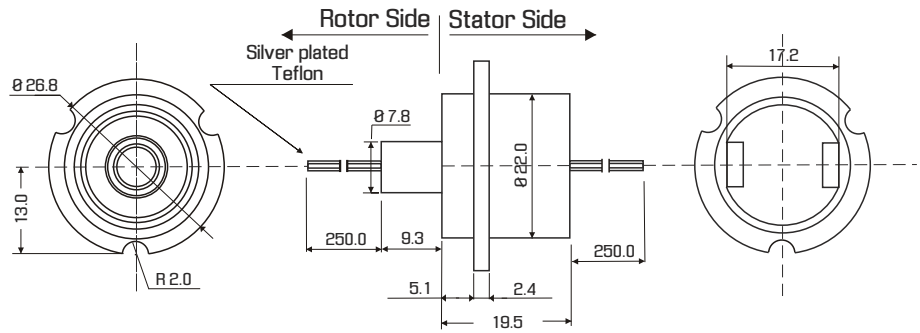


KYC06D - 6 x 2A

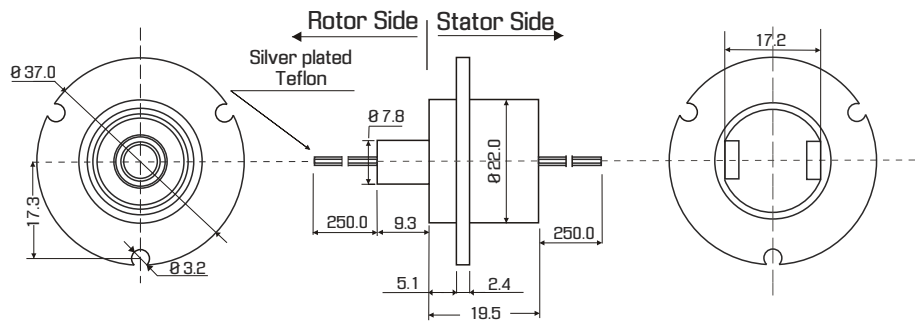


KYC06 Series

KYC06E - 6 x 2A

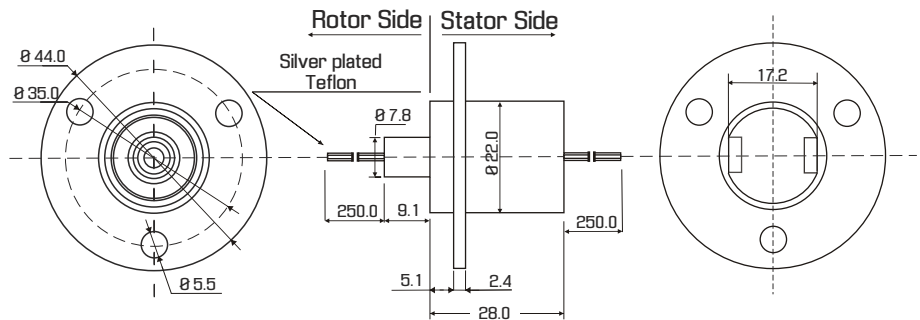


KYC06F - 6 x 2A

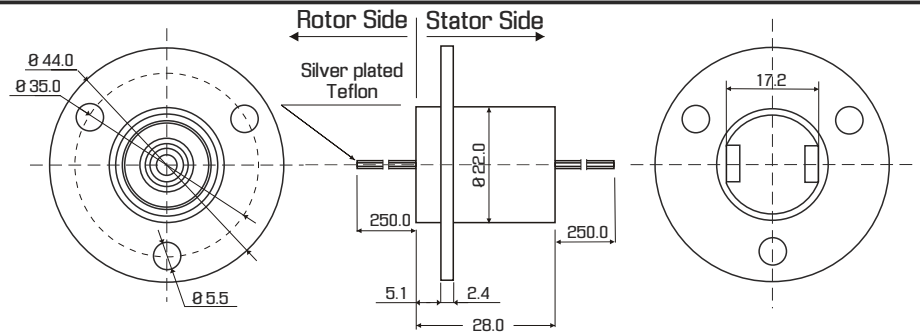


KYC12 Series

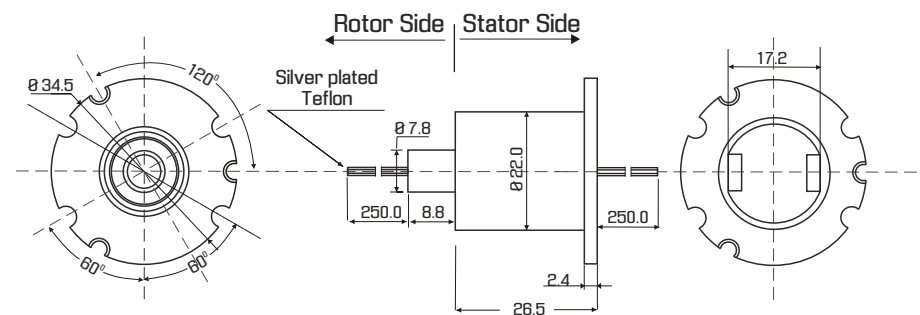
KYC12A - 12 x 2A



KYC12B - 12 x 2A

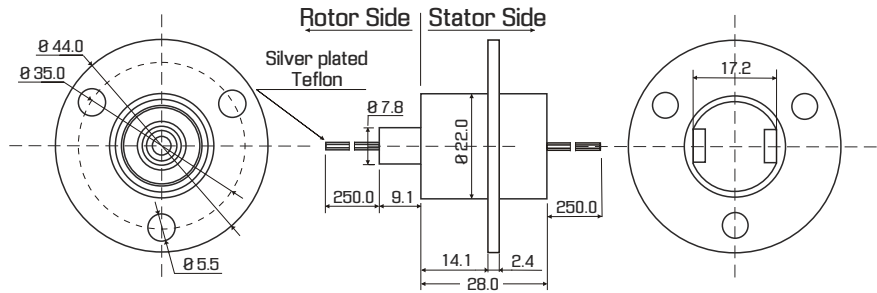


KYC12C - 12 x 2A

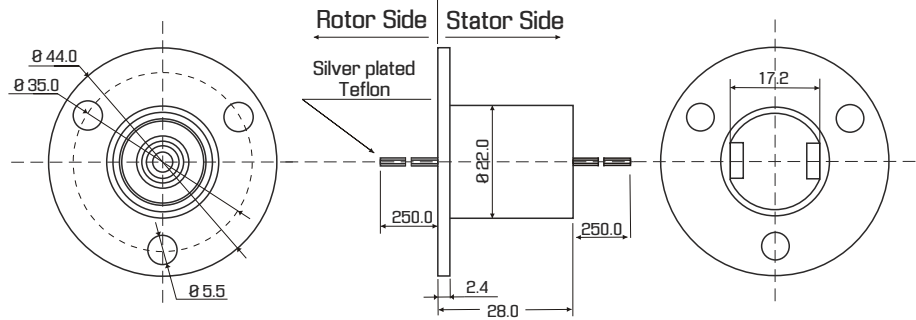


KYC12 Series

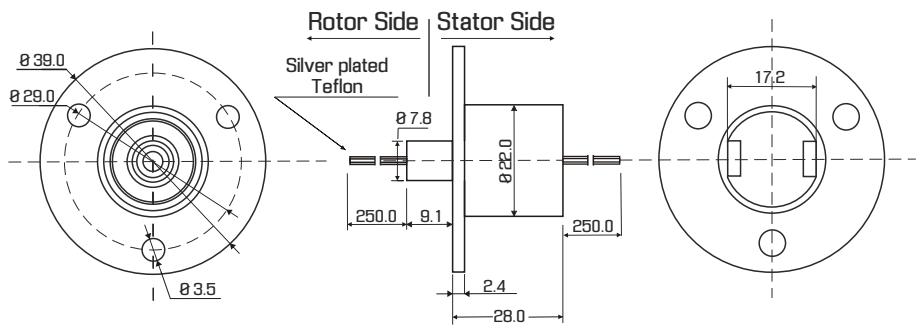
KYC12D - 12 x 2A



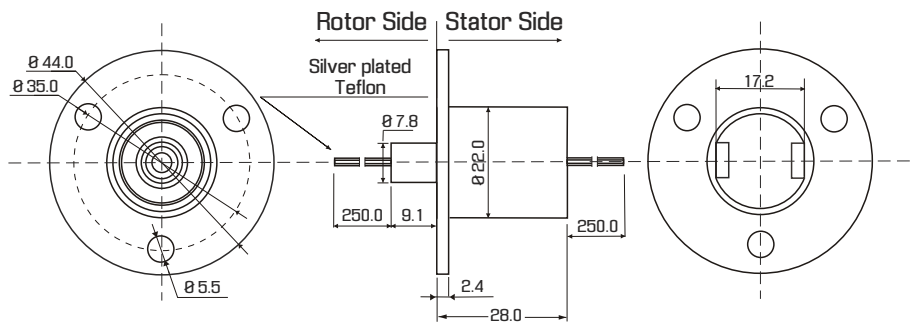
KYC12E - 12 x 2A



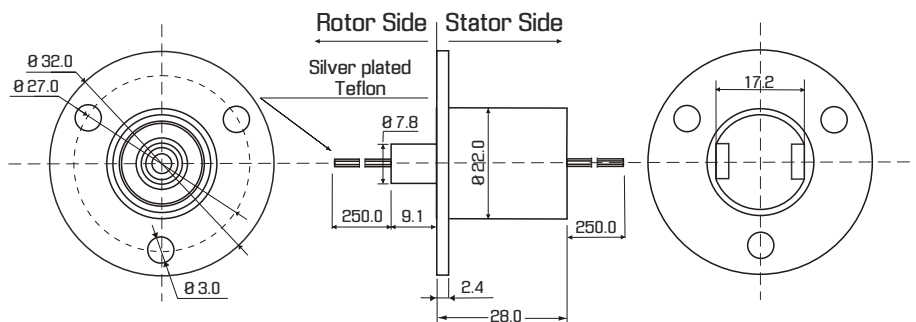
KYC12F - 12 x 2A



KYC12G - 12 x 2A

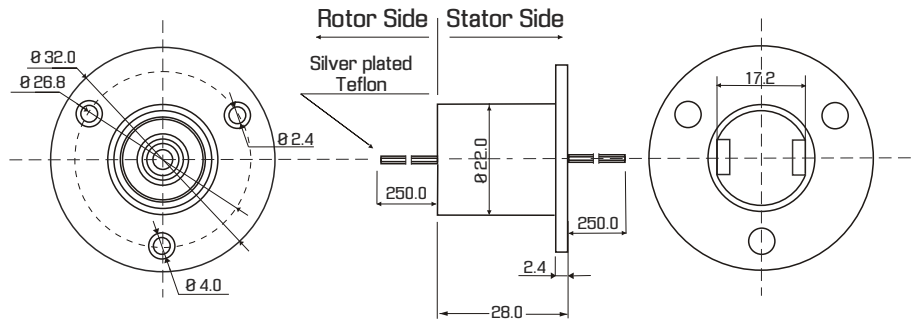


KYC12H - 12 x 2A



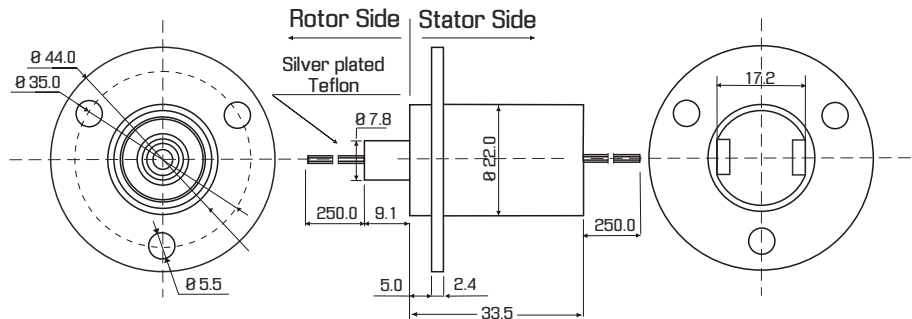
KYC12 Series

KYC12I - 12 x 2A



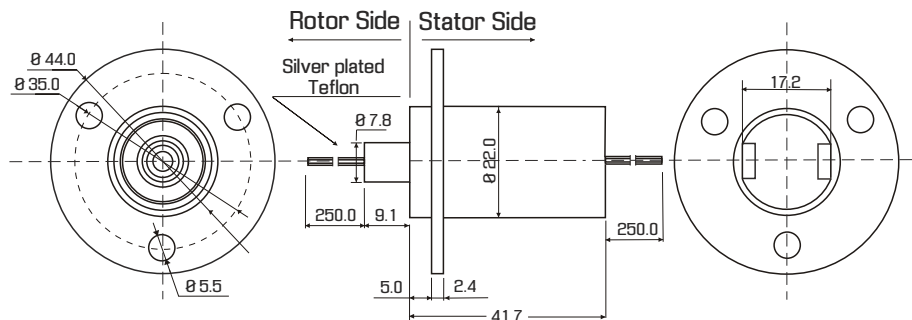
KYC18 Series

KYC18A - 18 x 2A



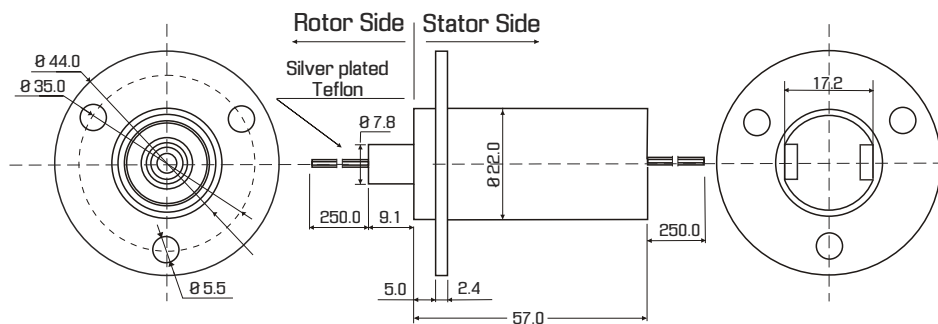
KYC24 Series

KYC24A - 24 x 2A



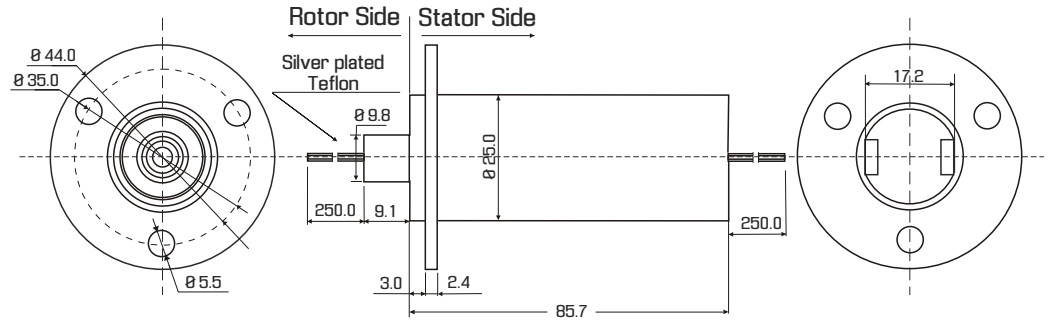
KYC36 Series

KYC36A - 36 x 2A



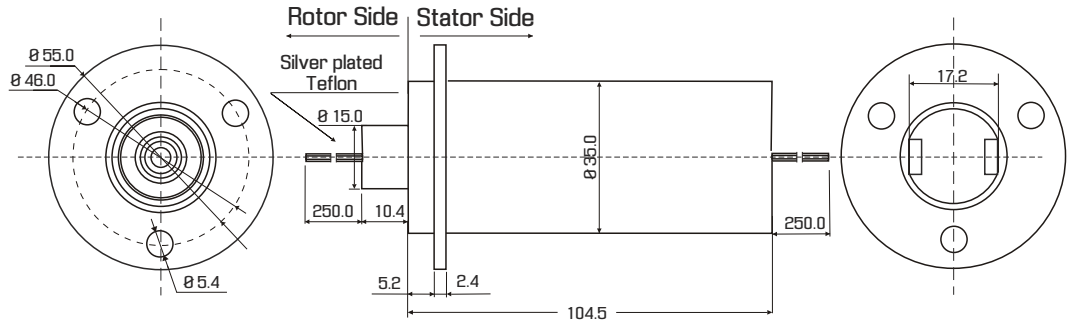
KYC56 Series

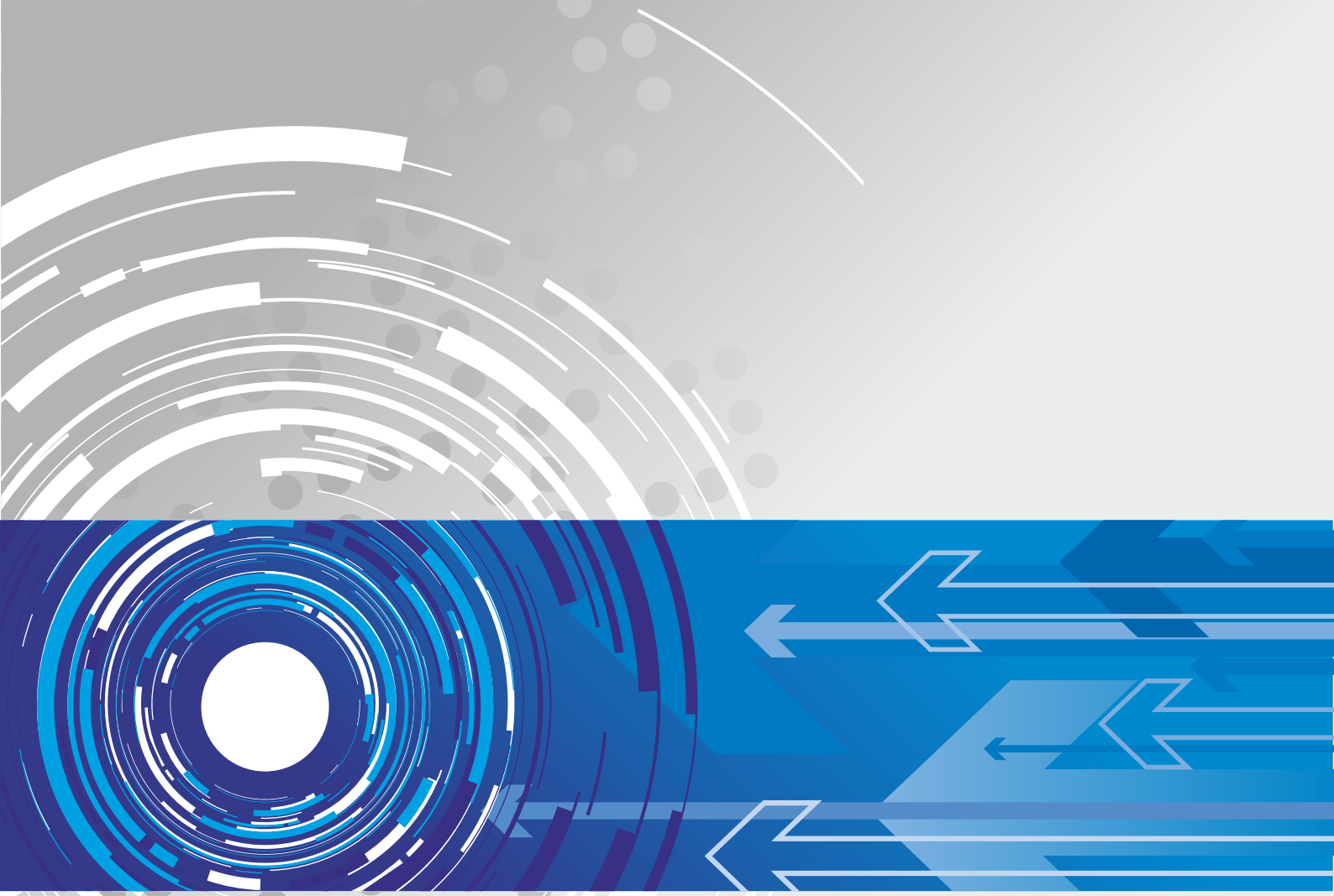
KYC56A - 56 x 2A



KYC76 Series

KYC76A - 76 x 2A





Check other Slip Rings

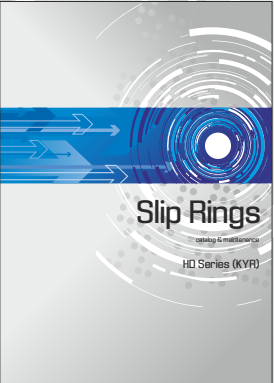
Miniature Series KYM

Bore Series KYH

HD Series KYR

Detachable Series KYS

High Current Series FS



DISTRIBUTOR/AGENT

The details contained in this catalogue are product descriptions based on our knowledge and experience.

We reserve the right to make alterations at any time and cannot be responsible for any omissions or printing errors.