



# Slip Rings

catalog & maintenance

Miniature Series (KYM)

This units can be used in any electromechanical system that requires unrestrained, continuous rotation while transferring power or data from a stationary to a rotating structure. It's also called a rotary electrical interface, commutator, collector, swivel or an electrical rotary joint.

It can improve electromechanical capability, simplify system design, eliminate possible damage while rotation. It's the key apparatus of various precision rotary worktable, electric test instrument, manufacture and process control instrument.

## Application:

|  |                          |                          |                    |
|--|--------------------------|--------------------------|--------------------|
| Index tables for signal and power connection | Heating rollers          | Electro plating lines    | Robots             |
| Resistors cutting machines                   | Lamilating               | Rotary stages            | Rotary lamp boxes  |
| Speed dome cameras                           | Winding machines         | Cable wheels             | Medical Equipments |
| Package machines                             | Spinning LED sign boards | Circle knitting machines |                    |
|  | Wind Turbines            | Coloring devices         |                    |

## Order code

**KYM**   **06**   **B**   -   **06**   **02**   /   **XXX**

series      wires range      model execution      wires number      current      additional options

## Example

KYM06A-0602 - KYM series, 6 wires - 6 x 2A, dimensions - KYM06A model

KYM12C-0802/04S - KYM series, 12 wires - 8 x 2A, 4 x signal wires (S - shielded), dimensions KYM12C model - non standard execution

KYM12A-1002 - KYM series, 10 wires - 10 x 2A, dimensions KYM12A model - non standard execution

## Futures

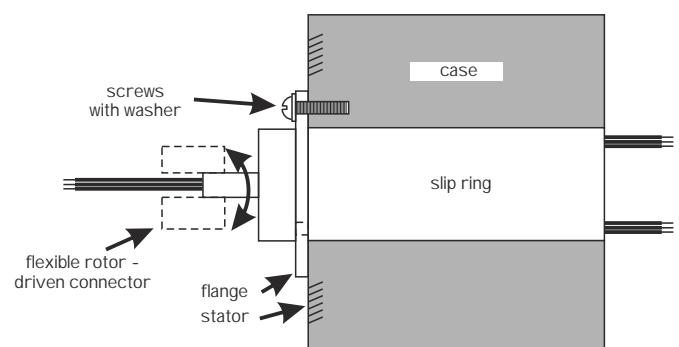
- precision ball bearings meet or exceed life requirements for most commercial applications
- longer lead wires available
- transfers analog and digital signals
- compatible with data bus protocols
- sealed units also available
- flexible, color-coded, silver-plated, Teflon<sup>®</sup> insulated lead wires

## Specifications

|                       |   |
|-----------------------|---|
| Operating Speed       | 0 - 300rpm  |
| Number of Circuits    | 2 - 24 circuits available                         |
| Voltage               | 250 VAC/VDC                                       |
| Current Rate          | 2A per circuit                                    |
| Temperature Range     | -40 to +80 °C                                     |
| Contact Material      | Gold to Gold                                      |
| Lead Size             | 28AWG silver plated copper UL Teflon <sup>®</sup> |
| Lead Lengths          | min 250mm   |
| Dielectric Strength   | 500VAC @50Hz, between each circuit                |
| Insulation Resistance | 1000 MΩ@500VDC                                    |
| Electric Noise        | ≤10mΩ   |
| IP                    | 44  |

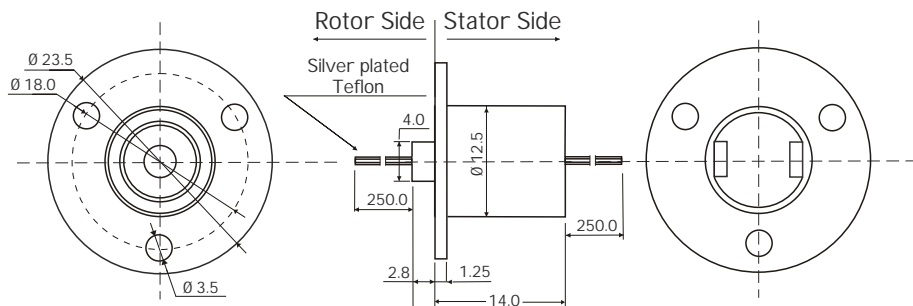
## Using and installation guide

1. This series is designed for being installed with flange on a sleeve bracket.
2. Rotor must be concentric driven by a flexible link (such as plastic tube or screw tube). Rotor lead wire can do as this driver at limited-speed.
3. As the photograph show, screws with washer can be used to install slip ring, these washer can avoid flange too tight.
4. Slip ring can not support the weight of equipment which connects with it, rotating equipment should be fastened so that its weight will not fall on the rotor.
5. Slip ring should not invaded by dust or humidity. If used outdoor, shield is necessary.
6. The surface of lead wire should avoid being damaged while equipment rotating, all lead wire can not bear weight while you put lead wire in order.
7. No damaging the surface of lead wire while barking its end.

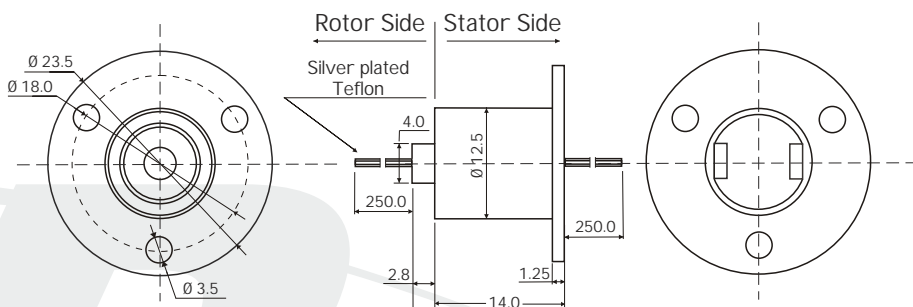


KYM06 Series

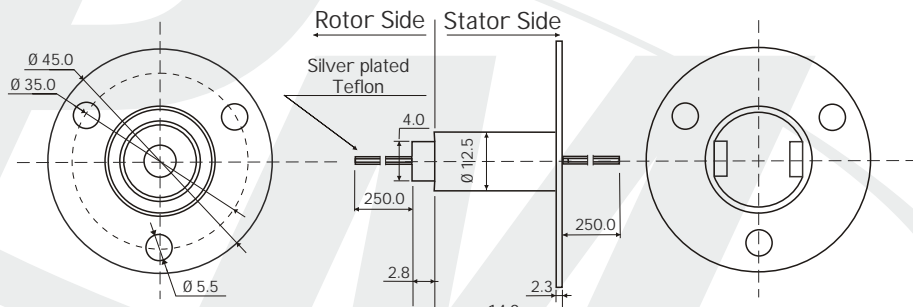
KYM06A - 6 x 2A



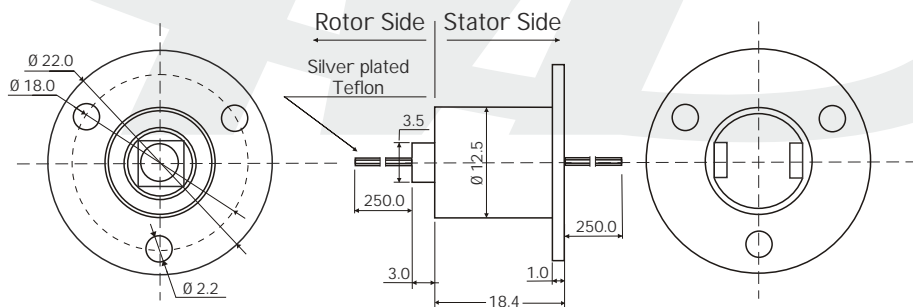
KYM06B - 6 x 2A



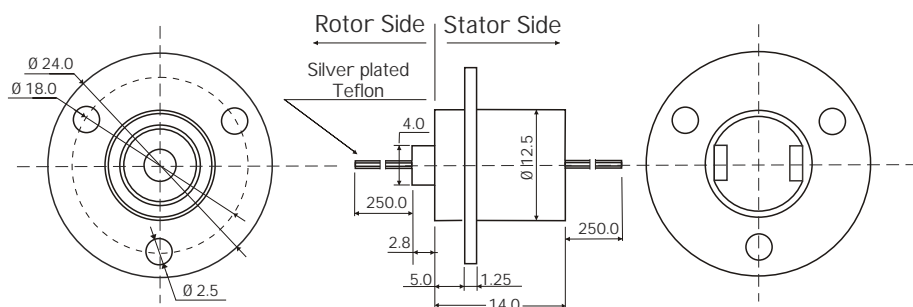
KYM06C - 6 x 2A



KYM06D - 6 x 2A

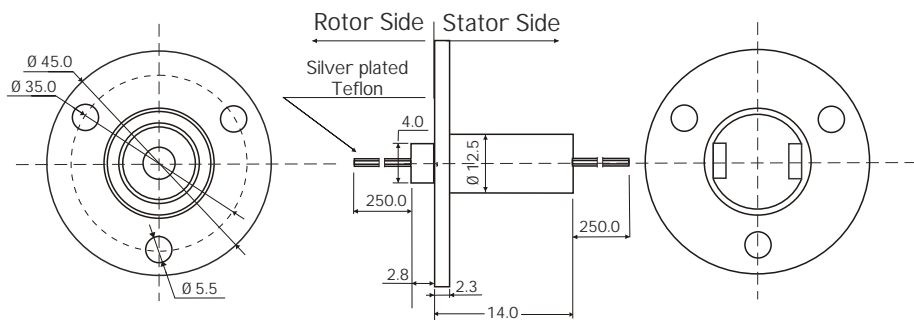


KYM06E - 6 x 2A

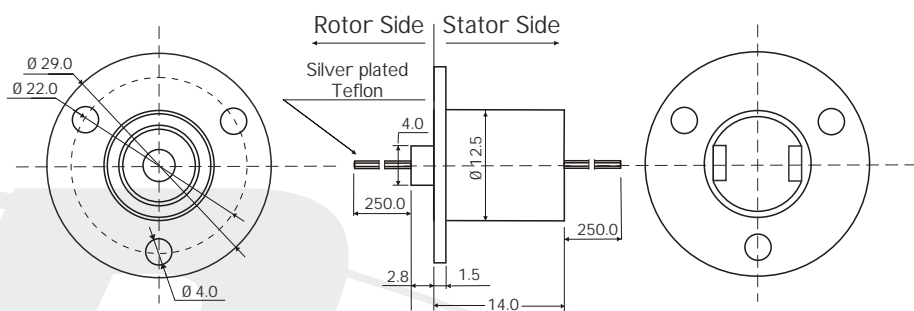


KYM06 Series

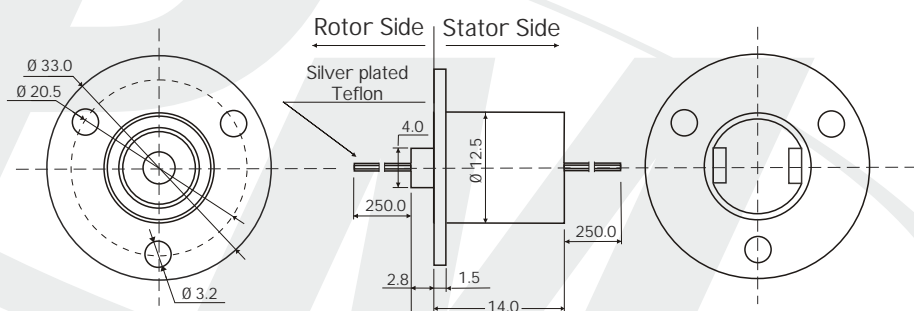
KYM06F - 6 x 2A



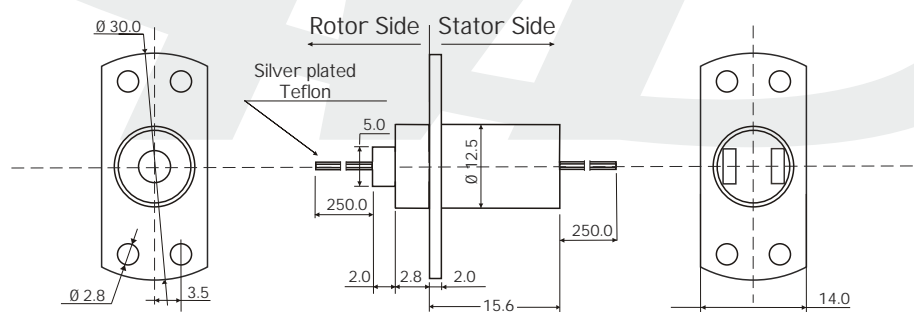
KYM06G - 6 x 2A



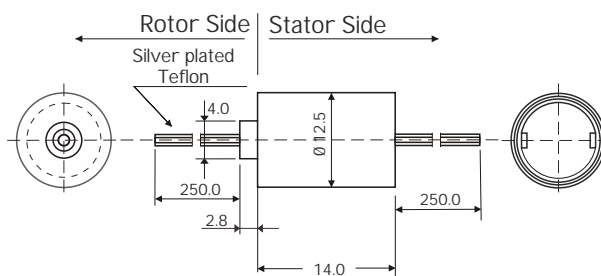
KYM06H - 6 x 2A




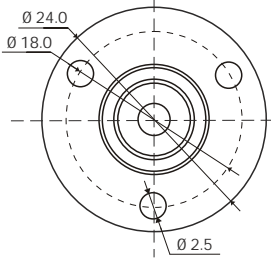
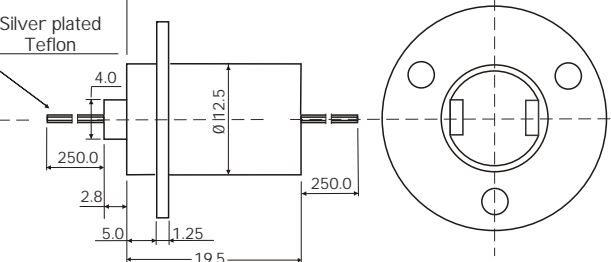

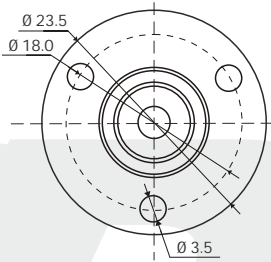
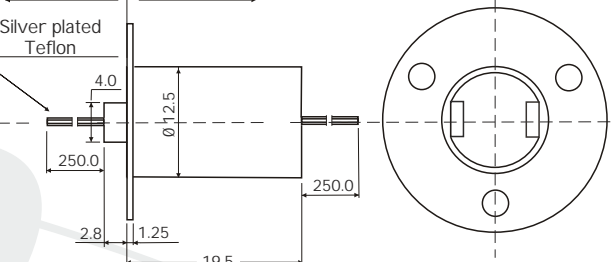

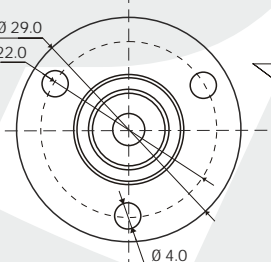
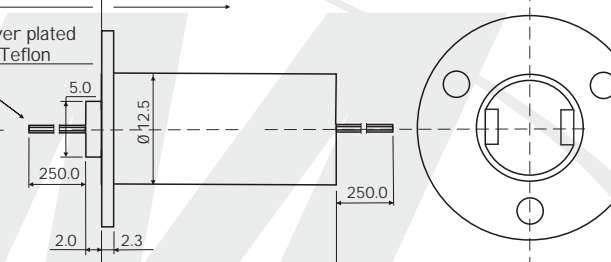

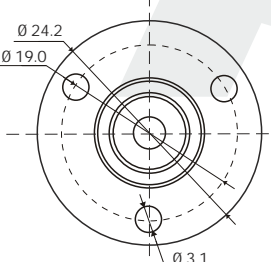
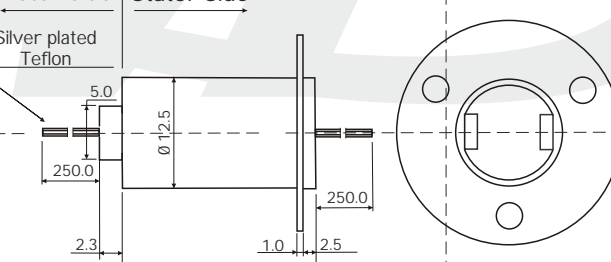

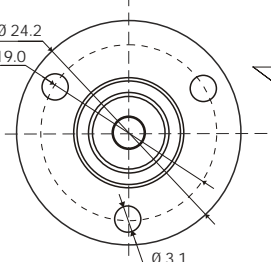
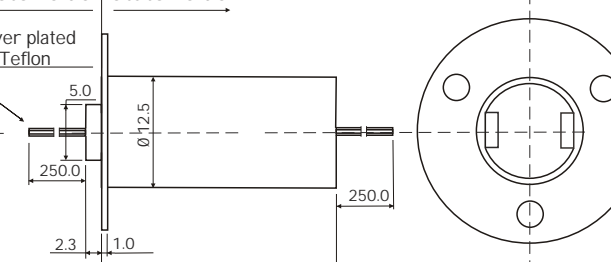
KYM06I - 6 x 2A



KYM06U - 6 x 2A

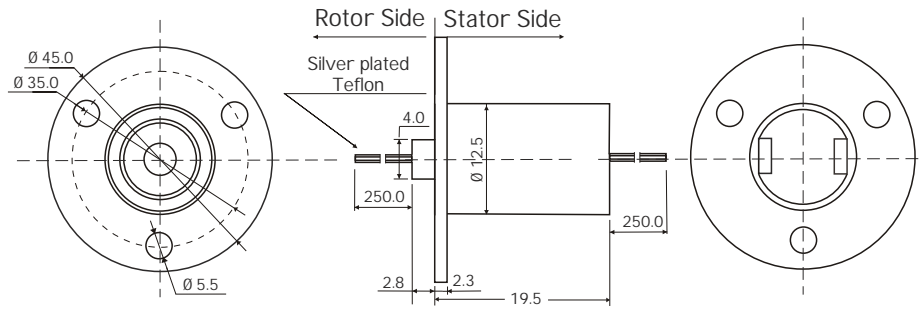


## KYM12 Series

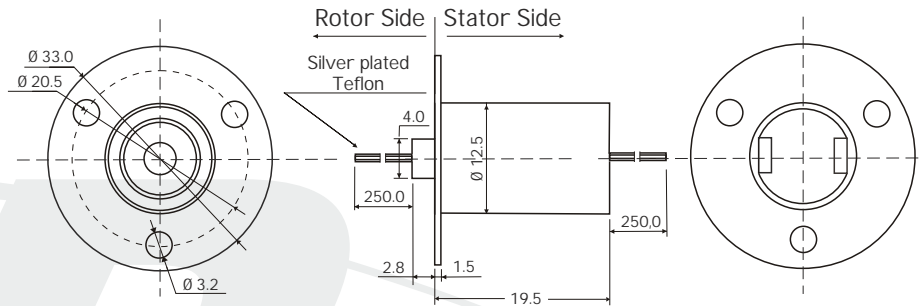
|  |  |
|--|--|
| <p><b>KYM12A - 12 x 2A</b></p>    | <div style="display: flex; justify-content: space-around;"> <div style="text-align: center;"> <p>Rotor Side</p>  </div> <div style="text-align: center;"> <p>Stator Side</p>  </div> </div>     |
| <p><b>KYM12B - 12 x 2A</b></p>    | <div style="display: flex; justify-content: space-around;"> <div style="text-align: center;"> <p>Rotor Side</p>  </div> <div style="text-align: center;"> <p>Stator Side</p>  </div> </div>     |
| <p><b>KYM12C - 12 x 2A</b></p>  | <div style="display: flex; justify-content: space-around;"> <div style="text-align: center;"> <p>Rotor Side</p>  </div> <div style="text-align: center;"> <p>Stator Side</p>  </div> </div> |
| <p><b>KYM12D - 12 x 2A</b></p>  | <div style="display: flex; justify-content: space-around;"> <div style="text-align: center;"> <p>Rotor Side</p>  </div> <div style="text-align: center;"> <p>Stator Side</p>  </div> </div> |
| <p><b>KYM12E - 12 x 2A</b></p>  | <div style="display: flex; justify-content: space-around;"> <div style="text-align: center;"> <p>Rotor Side</p>  </div> <div style="text-align: center;"> <p>Stator Side</p>  </div> </div> |

### KYM12 Series

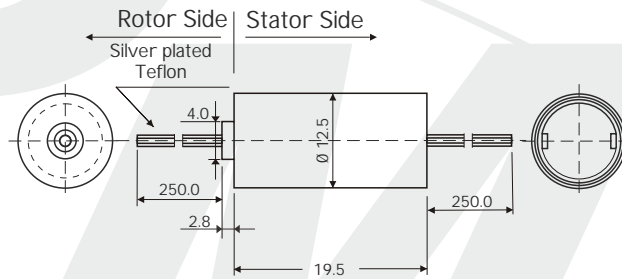
KYM12F - 12 x 2A



KYM12H - 12 x 2A

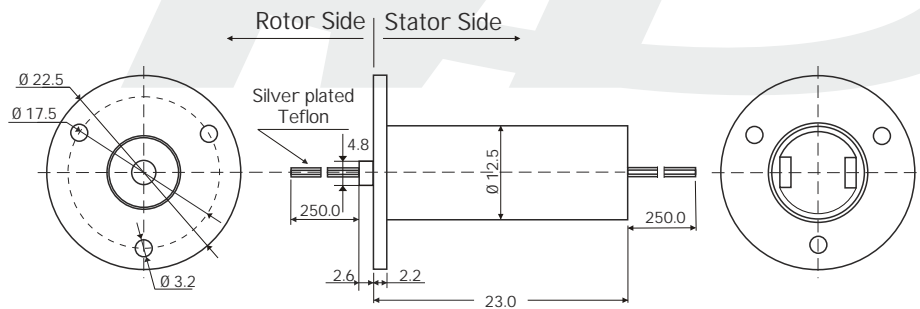


KYM12U - 12 x 2A

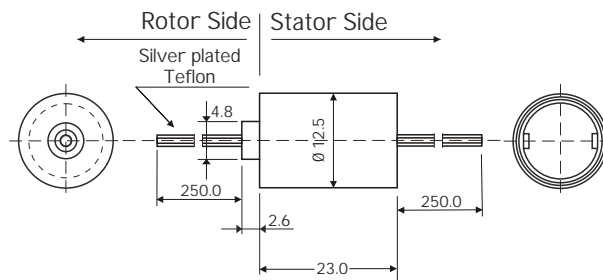


### KYM18 Series

KYM18A - 18 x 2A

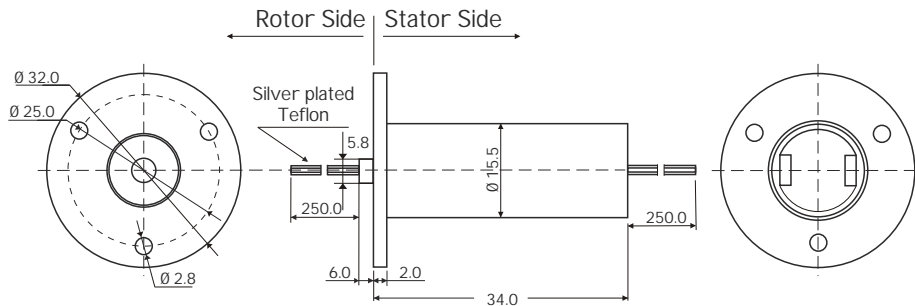


KYM18U - 18 X 2A

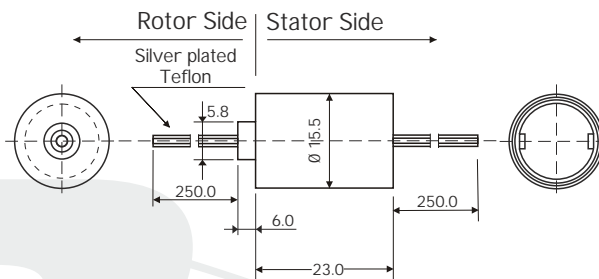


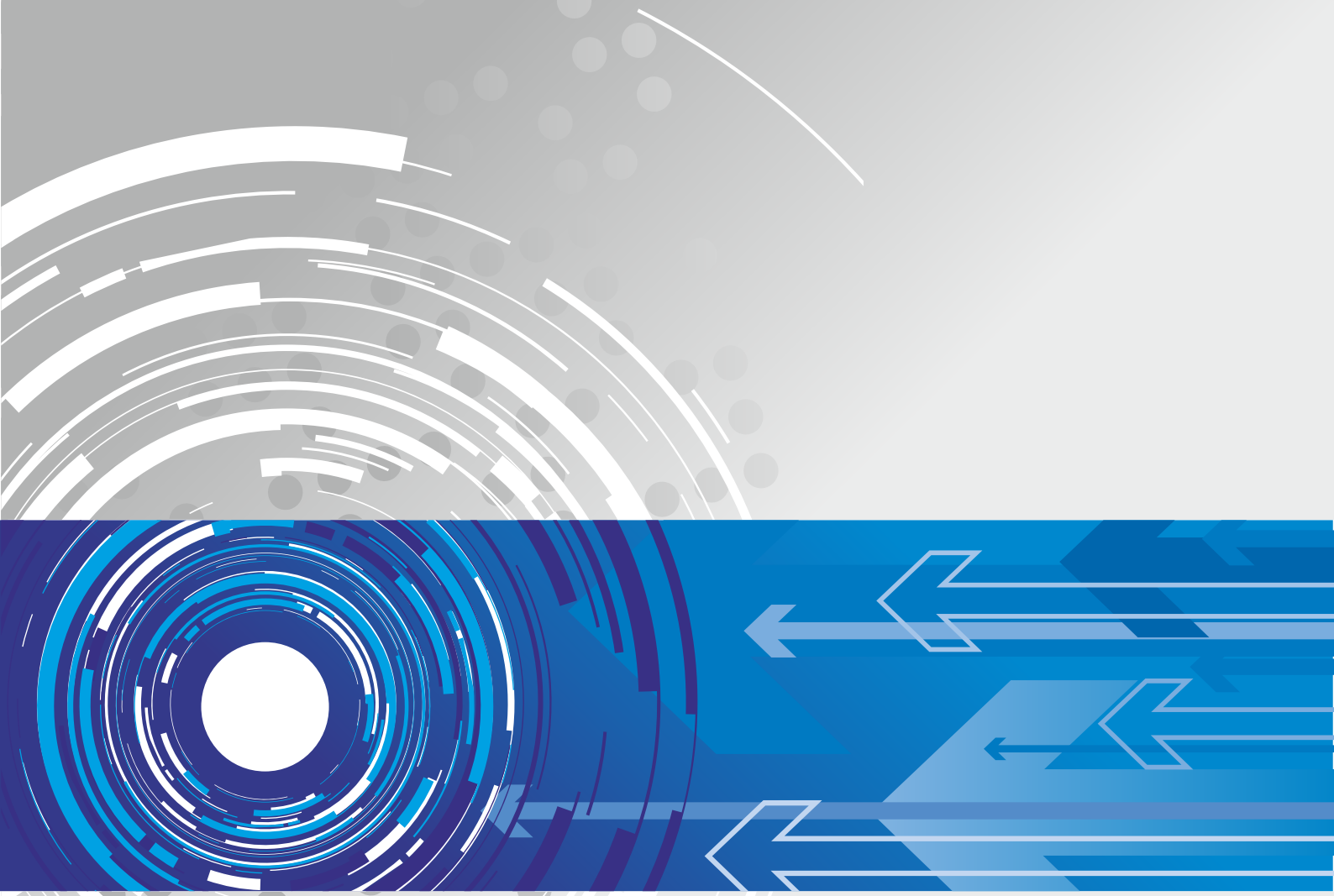
KYM24 Series

KYM24A - 24 x 2A



KYM24U - 24 x 2A





Check other Slip Rings

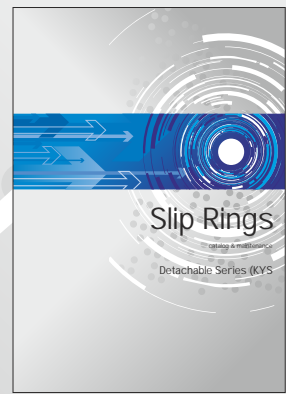
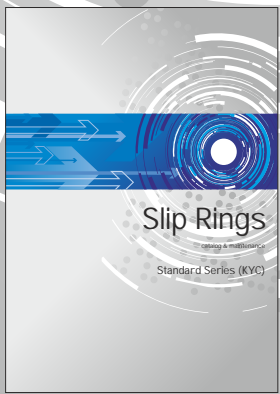
Standard Series KYC

Bore Series KYH

HD Series KYR

Detachable Series KYS

High Current Series FS



DISTRIBUTOR/AGENT

The details contained in this catalogue are product descriptions based on our knowledge and experience.

We reserve the right to make alterations at any time and cannot be responsible for any omissions or printing errors.